

AS SEEN  
ON TV!



the **ELECTRICAL**  
industry awards  
**WINNER** 2010

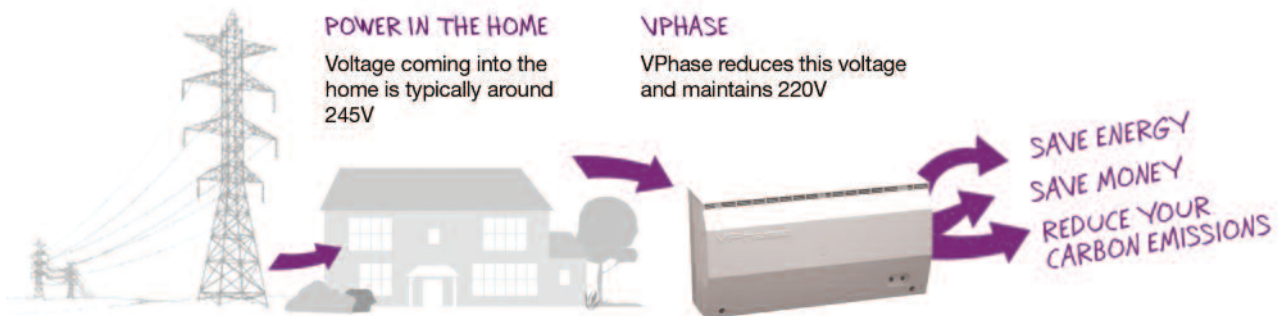
## VOLTAGE OPTIMISATION NOW AVAILABLE FOR THE HOME

### Save around 10% on home electricity bills

- ✓ Easy to fit and adds value to installs
- ✓ 5 year warranty
- ✓ Free marketing support & training
- ✓ Target the 'green' & 'cash conscious' market
- ✓ Save around 10% on electricity bills
- ✓ Additional revenue opportunity
- ✓ Consumer awareness advertising – including TV

Voltage optimisation is not a new technology; it has been widely used in industry for many years saving big businesses millions of pounds in reduced energy bills. Now VPhase have made this technology available for the home.

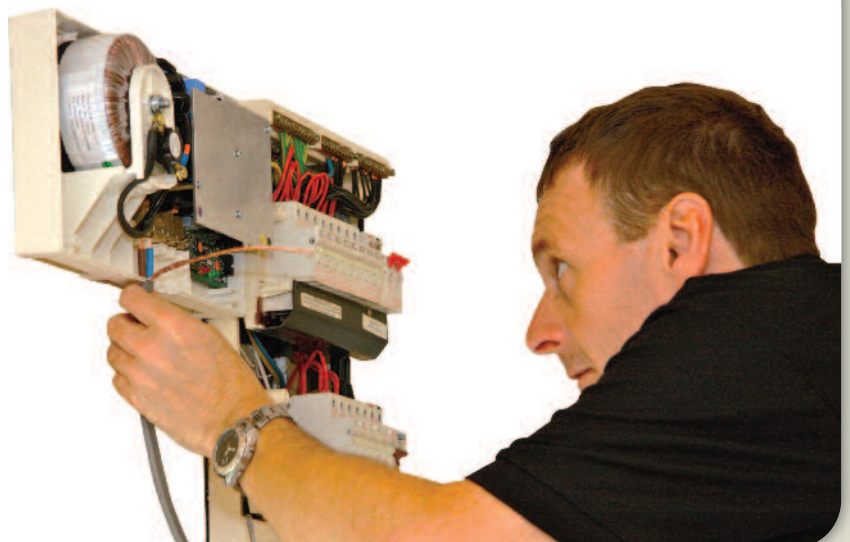
The unique VPhase product lowers and regulates the incoming voltage in a property, typically to 220V, giving householders immediate and significant energy and CO2 savings. The device must be fitted to the consumer unit by a qualified electrician.



**AVAILABLE  
NOW**

0845 003 8235  
[www.vphase.co.uk](http://www.vphase.co.uk)

Or call in at  
your local  
electrical  
distributor





AS SEEN  
ON TV!

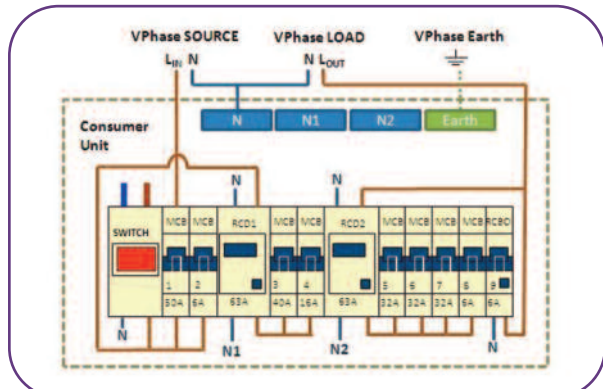
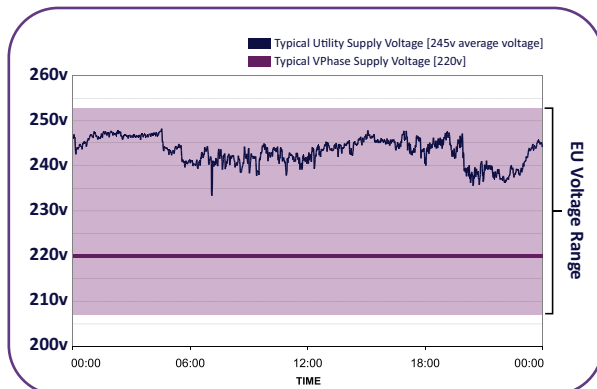
The VPhase product is fitted next to the consumer unit and is simply installed by a qualified electrician.

It acts on the circuits where voltage optimisation is of most benefit. One single VPhase unit can be installed to supply all the socket outlets and lighting circuits in a typical property.



345mm(L) x 180mm(W) x 115mm(D)

## Connection to a consumer unit



Domestic voltage optimisation is designed to optimise voltage on induction circuits only. Therefore resistive circuits such as electric heating are not included, as they would just have to be on longer to achieve the same heat output.

Through lowering and regulating the voltage, yet still operating well within the manufacturers' stated tolerances, many appliances and light bulbs will actually have their life extended through reduced loads and stress being placed upon them. In particular, light bulbs have been shown to last twice as long as those on higher non-optimised voltage.

VPhase is a must-have, green technology for most households in the UK. Once fitted, it's completely maintenance free for its 25+ year life. The device requires no lifestyle or behavioural change from consumers either, it's just a case of fit, forget and save instantly.

[www.vphase.co.uk](http://www.vphase.co.uk)

The VPhase unit must be fitted in full compliance with the latest Wiring Regulations and Building Regulations. Installation Instructions can be obtained from the website.